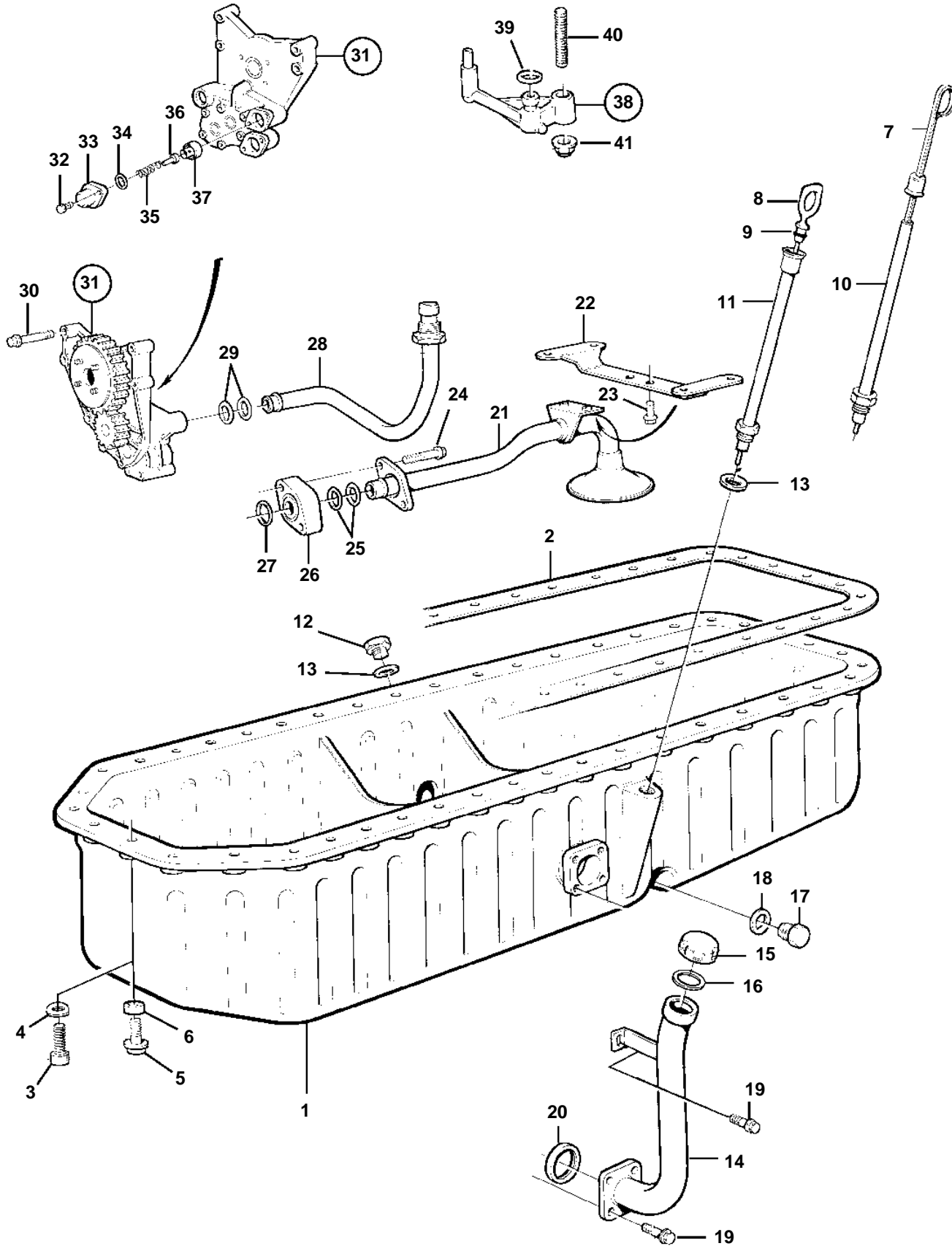


TAMD162A, TAMD162B, TAMD162C, TAMD162C-B



17825

TAMD162A, TAMD162B, TAMD162C, TAMD162C-B

REF	PART NO.	QTY	DESCRIPTION	SEE SEC.	NOTES
1	3825514	1	Oil pan		(864701). Replaced by 3829432.
	3829432	1	Oil pan		
2	3827274	1	Gasket		(864775)
3	959223	44	Screw, L=30mm		SN-XXXXXXXXXXXX/16772
4	941907	44	Spring washer		SN-XXXXXXXXXXXX/16772
5	947760	44	Flange screw, L=40mm		SNXXXXXXXXXXXX/16773-
6	820917	44	Spacer sleeve		SNXXXXXXXXXXXX/16773-. Not for 3829432.
7	848984	1	Oil dipstick		ALT
8	844605	1	Oil dipstick		ALT
9	949187	1	· O-ring		
10	848983	1	Tube		ALT
11	3825065	1	Tube	SO	ALT
12	949175	1	Magnetic plug		
13	957187	2	Washer		
14	862061	1	Tube		SN-XXXXXXXXXXXX/15950. Replaced by 1ea oil filler pipe 866936, 1ea flange screw 946671 and 1ea sleeve 862713.
	866936	1	Oil filler pipe		SNXXXXXXXXXXXX/15951-
15	421753	1	Oil filler cap		SN-XXXXXXXXXXXX/15950
	1275403	1	Oil filler cap		SNXXXXXXXXXXXX/15951-
16	1275379	1	Gasket		
17	949175	1	Magnetic plug		
18	949329	1	Gasket		
19	946173	5	Flange screw		
20	843584	1	Sealing ring		
21	864703	1	Suction pipe		
22	864702	1	Bracket		
23	946440	2	Flange screw		
24	965180	2	Flange screw		
25	1543579	2	Sealing ring		
26	864968	1	Flange	SO	
27	949722	1	O-ring		
28		1	Oil feed pipeincl nut and ferrule		EARLY TYPE. Replaced by 1ea pressure oil 382186 and 2ea sealing ring 1543578.
	3826186	1	Oil feed pipe, incl nut and ferrule		LATE TYPE
29	1543578	1	Sealing ring		EARLY TYPE
	1543578	2	Sealing ring		LATE TYPE
30	965186	4	Flange screw		
31	1556177	1	Oil pump		REPL BY 1556730
				404	
	1556730	1	Oil pump		
				3285	
32	945444	2	Flange screw		
33	1543608	1	Cover		
34	949659	1	O-ring		
35	1543630	1	Spring		
36	1543610	1	Peg		
37	1543964	1	Valve seat		
38		6	Nozzlepiston cooling	1069	
39		6	· O-ring	1069	
40		6	Stud	1069	
41		6	Lock nut	1069	